

INTRODUCTION

Congratulations for your purchase of the new portable SANI UV-C sanitizer by GUDIMALIGHT. Your choice went for a high-quality device. The instructions are an essential part to best the usage of this product with important safety instructions for handling and disposal. Before beginning to use the sanitizer, it is important to gain familiarity with all the instructions for usage and safety. Use the sanitizer only accordingly to the recommended instructions and for the intended purposes. When the SANI UV-C by GUDIMALIGHT is given to third parties, it must be provided with the included documentation.

COMPLIANT USE

The battery powered SANI UV-C sanitizer is suitable for sanification surfaces of different nature, in the modality described in the present document. Any other usage must be considered not conform to the intended purpose. The maker is not entitled of any responsibility for damages caused by any use not conform to this document, wrong operation, wrong handling, device manumission or modification.

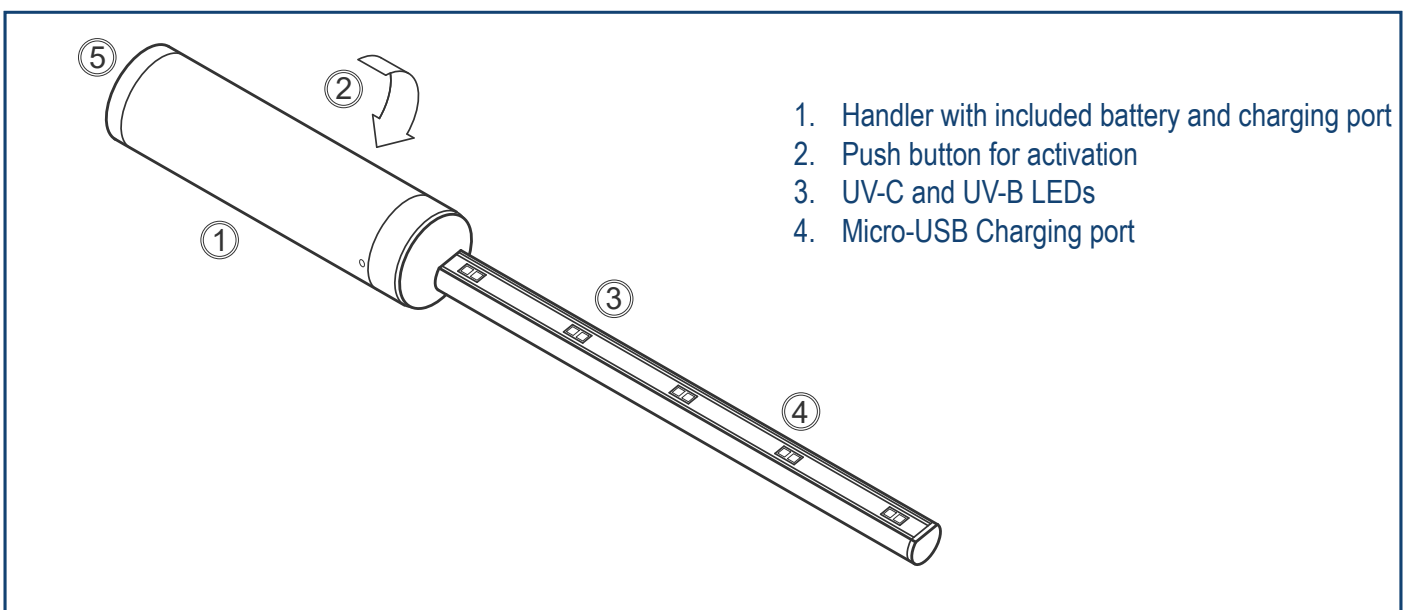
PART LIST

Reporting: Carry out immediately after the purchase of items that are part of the supply. Be aware that all objects are present and that they are not defects.

- Portable battery powered SANI UV-C (model UV-C 190520 450 / model UV-C 190520 700)
- USB charging cable USB-A/Micro USB
- Instruction and Safety Manual

DATASHEET

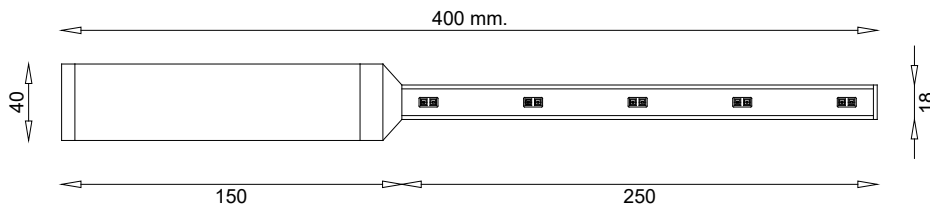
	UV-C 190520 450	UV-C 1905 700
Model code	UV-C 190520 450	UV-C 1905 700
Dimensions	400x40mm	650x40 mm
Weight	324g	406g
LED Type	UVC + UVA	UVC + UVA
Power	6W	8W
Optimal Surface Distance	from 10 to 30 mm	
Lifetime	2,5h*	
Charging System	micro USB-B 5V	
Temperature range for storage and use	0-50°C	
Photobiological risk	RG3	
*duration assumed based on continuous use		



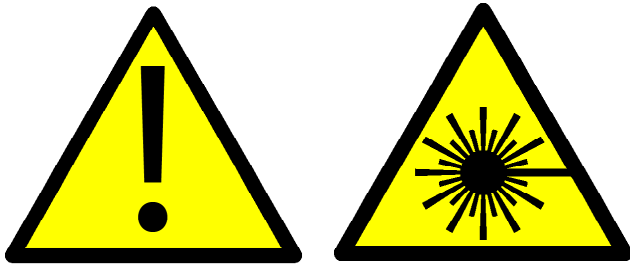
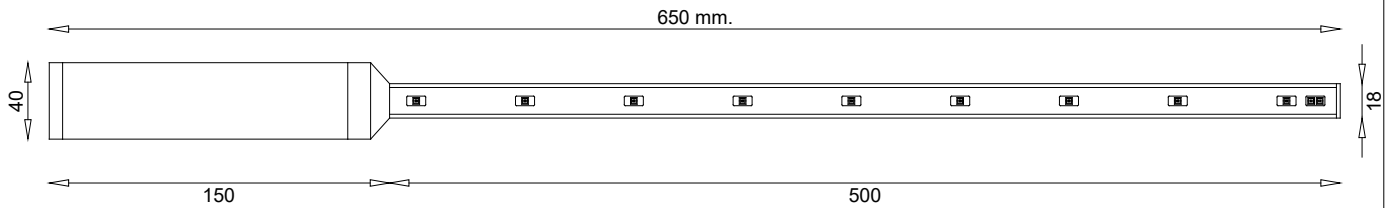
The present data is to be considered as informational documentation and might vary due to design advancement and future state-of-art from the scientific community and/or new legislation.

The look and specifications of the SANI UV-C might change due to design advancements, at any moment without notice. For more information get in touch at gudimalight@gmail.com or visit the download page at www.gudimalight.eu

GUDIMA LIGHT Ltd Kuklensko shose 17 blvd.Plovdiv 4004/ Bulgaria tel.+359 885 224222/+359 876 651650



Model: UV-C 190520 700



! WARNING !

The SANI UV-C device emits high energy Ultraviolet radiation that can cause harm to eyes and skin. The safety instructions present in this document must be followed rigorously.

Avoid direct exposition of the activated LED UV-C to the eyes and skin. Keep it away from children.

! SAFETY INSTRUCTIONS !

- Before using the SANI UV-C, the operator must wear the personal protective equipment PPE accordingly to the applicable law.
- DO NOT point the activated SANI UV-C against people or animals
- The operator must employ the SANI UV-C at least 1meter away from people or animals
- Besides the personal protective equipment PPE, for a safe use, all the prescriptions enlisted in the present document must be duly noted and followed.
- Any operator appointed to use the SANI UV-C must read the present document.
- Maximum care and attention must be use during the operation of the SANI UV-C in order to avoid harmful consequences to people, goods and the device itself.
- Operate the SANI UV-C device only for the indented purposed here described: surface sanification.
- DO NOT alter or damage the SANI UV-C device.
- Keep the SANI UV-C device away from children

The present data is to be considered as informational documentation and might vary due to design advancement and future state-of-art from the scientific community and/or new legislation.

The look and specifications of the SANI UV-C might change due to design advancements, at any moment without notice. For more information get in touch at gudimalight@gmail.com or visit the download page at www.gudimalight.eu

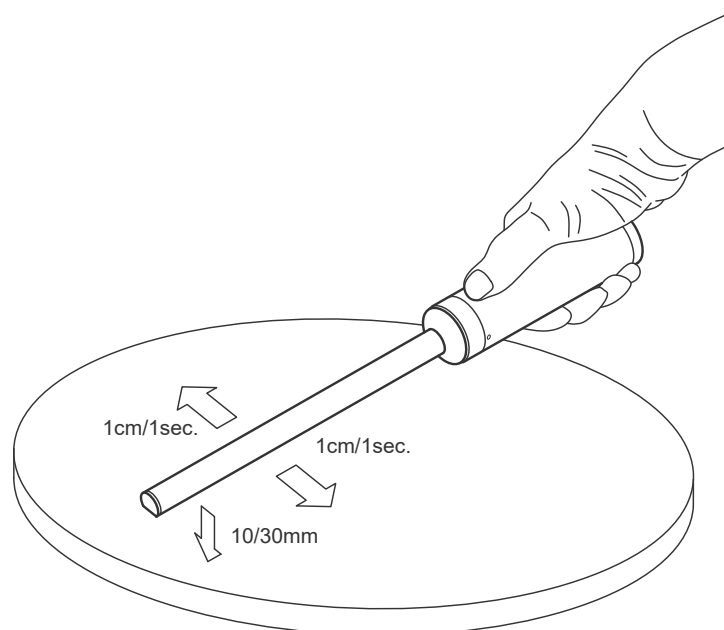
GUDIMA LIGHT Ltd Kuklensko shose 17 blvd.Plovdiv 4004/ Bulgaria tel.+359 885 224222/+359 876 651650

! PRECAUTIONS FOR CLEANING, STORAGE AND DISPOSAL !

- Keep the SANI UV-C in a dry environment protected from impacts
- Keep the SANI UV-C in an environment between 0°C and +50°C
- DO NOT use flammable material in the proximity of the SANI UV-C
- Keep the SANI UV-C away from heat sources
- Do not touch the SANI UV-C with wet hands or wet gloves
- Clean the SANI UV-C only with a dry cloth
- For the SANI UV-C disposal, it must be handled as RAEE item, normed by D.LGS. 49/2014

OPERATING INSTRUCTIONS

1. Employ all the personal protective equipment PPE (gloves and safety glasses with UV-C protection) dictated by the current legislation.
2. Make sure no people without personal protective equipment is within 1 meter from the SANI UV-C in operation.
3. Hold firmly the SANI UV-C by its grip and direct the UV LED towards the surface to be treated.
4. Activate the SANI UV-C with the Push Button for the duration of the operation.
5. Keep the SANI UV-C parallel to the treated surface at a distance between 10mm and 30mm.
6. Move the SANI UV-C along the surface at 10mm per second and repeat the procedure multiple times to achieve the desired level of sanification.
7. To end the SANI UV-C operation release the push button .



The present data is to be considered as informational documentation and might vary due to design advancement and future state-of-art from the scientific community and/or new legislation.

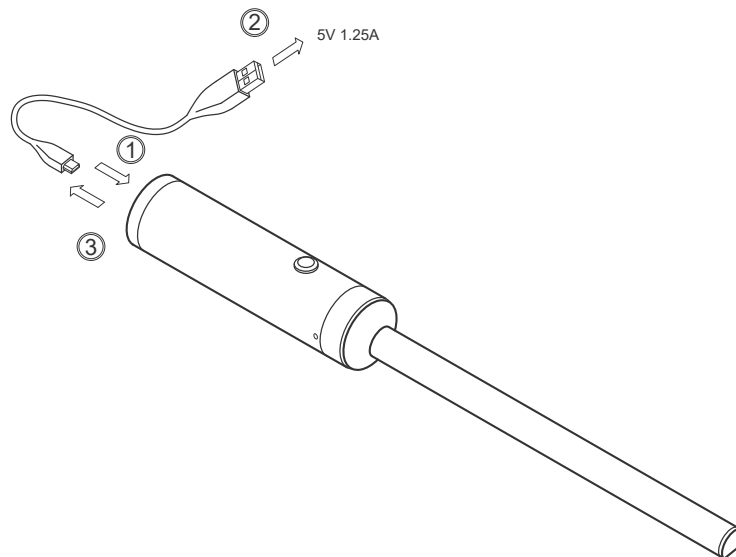
The look and specifications of the SANI UV-C might change due to design advancements, at any moment without notice. For more information get in touch at gudimalight@gmail.com or visit the download page at www.gudimalight.eu

GUDIMA LIGHT Ltd Kuklensko shose 17 blvd.Plovdiv 4004/ Bulgaria tel.+359 885 224222/+359 876 651650

RECHARGE INSTRUCTIONS

Hold the SANI UV-C portable battery sanitizer firmly.

1. Plug the provided USB cable to a USB 5V charger .
2. Plug the micro USB connector, from the provided USB cable, into the micro USB socket at the base of the grip of the SANI UV-C.
3. Once the charging cycle is over (aprox. 3h) unplug the USB cable from the grip.



BATTERY SYSTEM

Nominal discharge capacity	2,500mAh Charge: 1.25A, 4.20V, CCCV 125mA cut-off, Discharge: 0.2C, 2.5V discharge cut-off
Nominal voltage	3.6V
Standard charge	CCCV, 1.25A, 4.20 ± 0.05 V, 125mA cut-off
Rapid charge	CCCV, 4A, 4.20 ± 0.05 V, 100mA cut-off
Charging time	Standard charge : 180min / 125mA cut-off Rapid charge: 60min (at 25°C) / 100mA cut-off
Max. continuous discharge (Continuous)	20A(at 25°C), 60% at 250 cycle
Discharge cut-off voltage End of discharge	2.5V
Cell weight	45.0g max
Cell dimension	Height : 64.85 ± 0.15mm Diameter : 18.33 ± 0.07mm
Operating temperature (surface temperature)	Charge : 0 to 50°C (recommended recharge release < 45°C) Discharge: -20 to 75°C (recommended re-discharge release < 60°C)
Storage temperature (Recovery 90% after storage)	1.5 year -30~25°C(1*) 3 months -30~45°C(1*) 1 month -30~60°C(1*)

The present data is to be considered as informational documentation and might vary due to design advancement and future state-of-art from the scientific community and/or new legislation.

The look and specifications of the SANI UV-C might change due to design advancements, at any moment without notice. For more information get in touch at gudimalight@gmail.com or visit the download page at www.gudimalight.eu

GUDIMA LIGHT Ltd Kuklensko shose 17 blvd. Plovdiv 4004/ Bulgaria tel. +359 885 224222/+359 876 651650