

SERIES LED STREET LIGHTING TYPE „SSL“

Series include following types of products:

SSL 15W-20W, SSL 30W-40W, SSL 50W-60W and SSL 70W-80W;

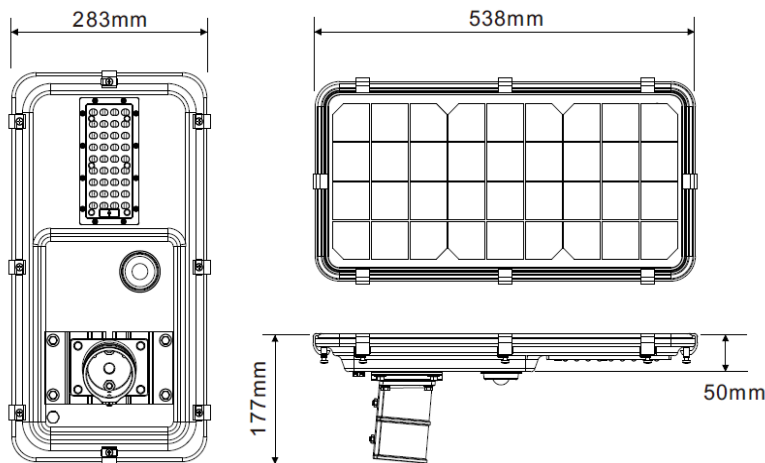
Name of Producer: “INDUSTRIAL LIGHTING” LTD

Purpose:

The Series Solar LED lighting type SSL is created as very high class solar street lightning designed to satisfy highest requirements for efficiency, durability and quality.

Technical parameters:

Solar LED light for outdoor use with dimensions:



SSL 15W-20W

538/283/117 mm. weight 4,85 kr..

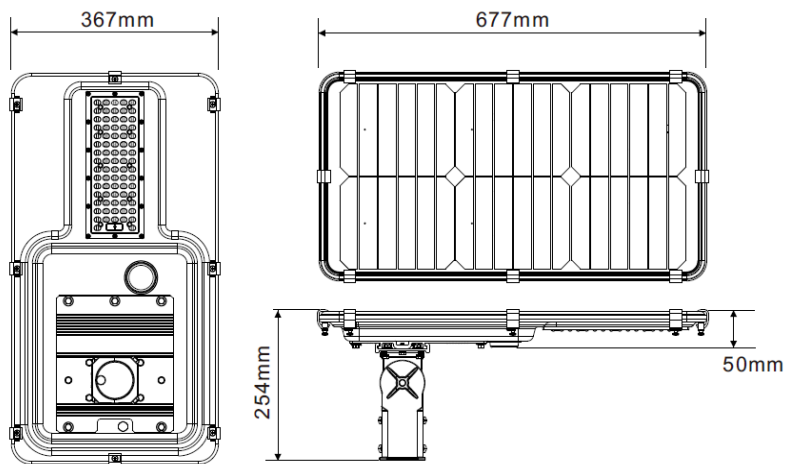
Solar panel 17,5 W monocrystalline silicon with lighting >17%;

Battery 9,6 Ah Lithium-ion Li Fepo4;

Operating time: Full power >12 hours, intelligent mode 4-5 days;

Lighting efficacy > 160Lm/W;

Installation height: 5-6 m.;



SSL 30W-40W

677/367/254 mm. weight 8,10 кг..

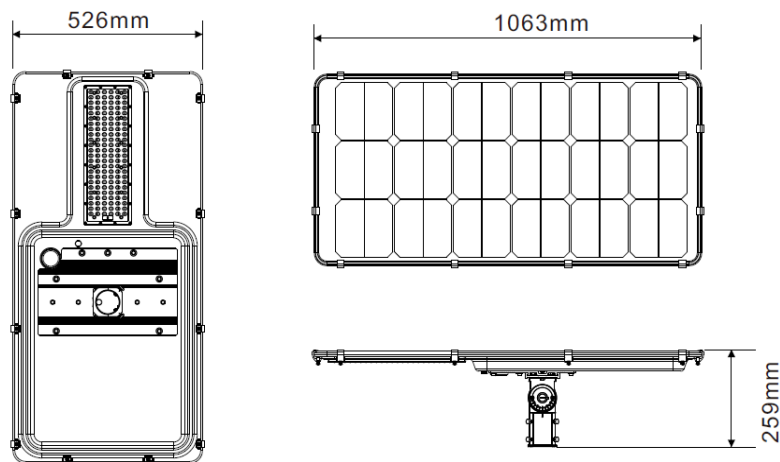
Solar panel 30 W monocrystalline silicon with lighting >17%;

Battery 16 Ah Lithium-ion Li Fepo4;

Operating time: Full power >12 hours, intelligent mode 4-5 days;

Lighting efficacy > 160Lm/W;

Installation height: 5-6 m.;



SSL 50W-60W

1063/526/259 mm. weight 17 кг..

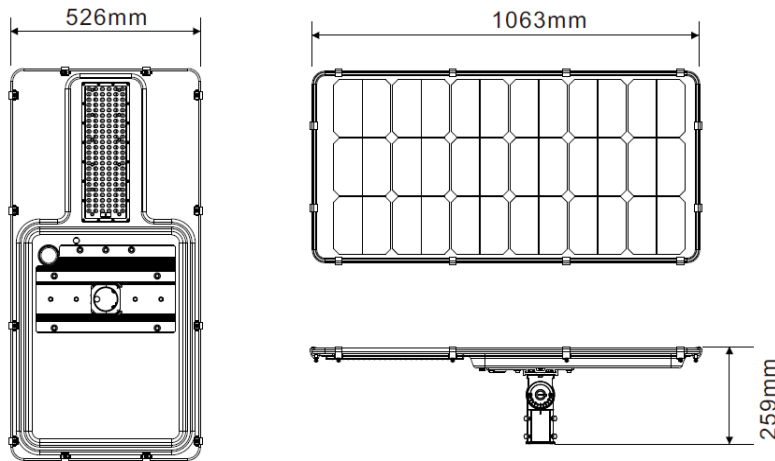
Solar panel 75 W monocrystalline silicon with lighting >17%;

Battery 32 Ah Lithium-ion Li Fepo4;

Operating time: Full power >12 hours, intelligent mode 4-5 days;

Lighting efficacy > 160Lm/W;

Installation height: 6-8 m.;



SSL 70W-80W

1063/526/259 mm. weight 17 кг.

Solar panel 75 W monocrystalline silicon with lighting >17%;

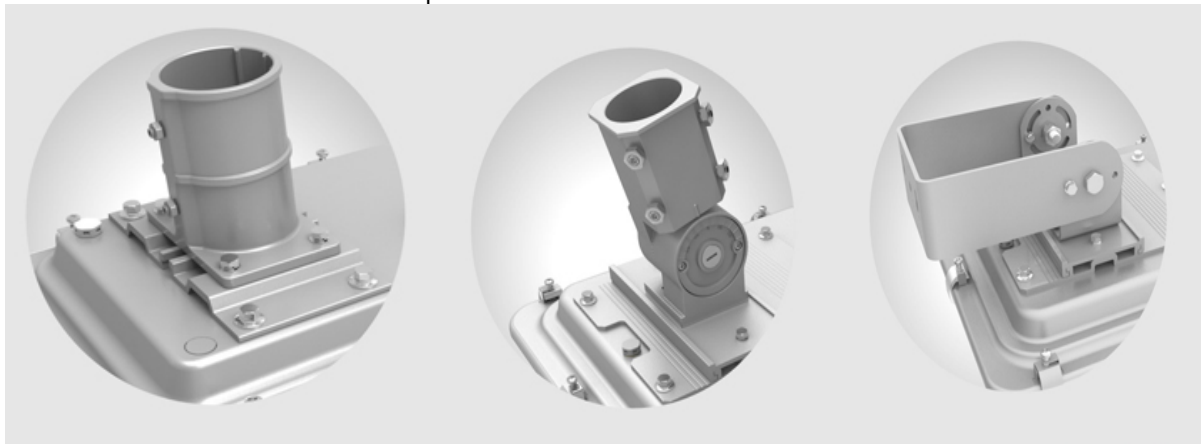
Battery 41.6 Ah Lithium-ion Li FePO₄;

Operating time: Full power >12 hours, intelligent mode 4-5 days;

Lighting efficacy > 160Lm/W;

Installation height: 6-8 m.;

Three kinds of bracket for optional:



Fix bracket

Adjustable angle of 150 deg.

Adjustable angle of 180 deg.

Bracket diameter: 50-60 mm. ;

High efficiency lithium iron phosphate battery: Which works with excellent performance under high temperature, can bear large-current discharge, lifespan over 2000 times;

Part color: RAL 7035;

Die casting Aluminium body, produced with aluminium alloy with enhanced heat exchange characteristics.

Intelligent control system: Intelligent controller works with Microwave sensor, ensure the effective lighting.



Color temperature of LEDs standard production 4500 - 5000 K.

Index of color rendering:

Standard lighting SSL is with index of color rendering CRI min 80.

Operating temperature of the lamp is from -10 °C to +60 °C

Degree of protection IP 66:

The degree of protection of LED lighting bodies, which the corpus provides against penetration of foreign particles, dust, dirt and water.

Luminaries SSL provides:

Complete protection against contact, protection from infiltration of dust and protection against heavy seas, or powerful jets of water.

Certification:

Luminaries SSL has full **CE** certification.

Description of the mechanical connection

Installation to be performed only by qualified and pre instructed personnel, trained in safety procedures. Installation is completed by 2 to 4 bolts M5x10.

Quality control:

The device is controlled from the authorities of quality control and reply to the technical requirements. Replacing of components of the luminary has to be performed only with original parts supplied by the producer. Repair is performed only from authorized representative of the producer.

Warranty conditions:

LED luminaries from the series “SSL” have 36 months warranty from the date of sale. All eventual malfunction during warranty period is 36 months from date of purchase. All eventual malfunction in this period is repaired free of charge in the conditions of:

- All conditions for installation, operation, transport and storage of the device
- There are no signs of attempts of opening the device and/or repair by non-authorized personal of Industrial lighting LTD.

Producer's address:

“Industrial lighting” Ltd,
1839 Sofia, 15 Kremikovsko shose Str.,
e-mail: office@industrialighting.eu
web site: www.industrialighting.eu